

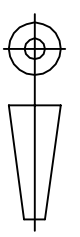


**RESOURCE ENGINEECH (INDIA) PVT LTD.**  
**BARODA - 390010, INDIA.**  
**E MAIL :- info@resource.co.in.**  
**FAX NO:- +91-265-2638048**

**CUSTOMER NAME :-**

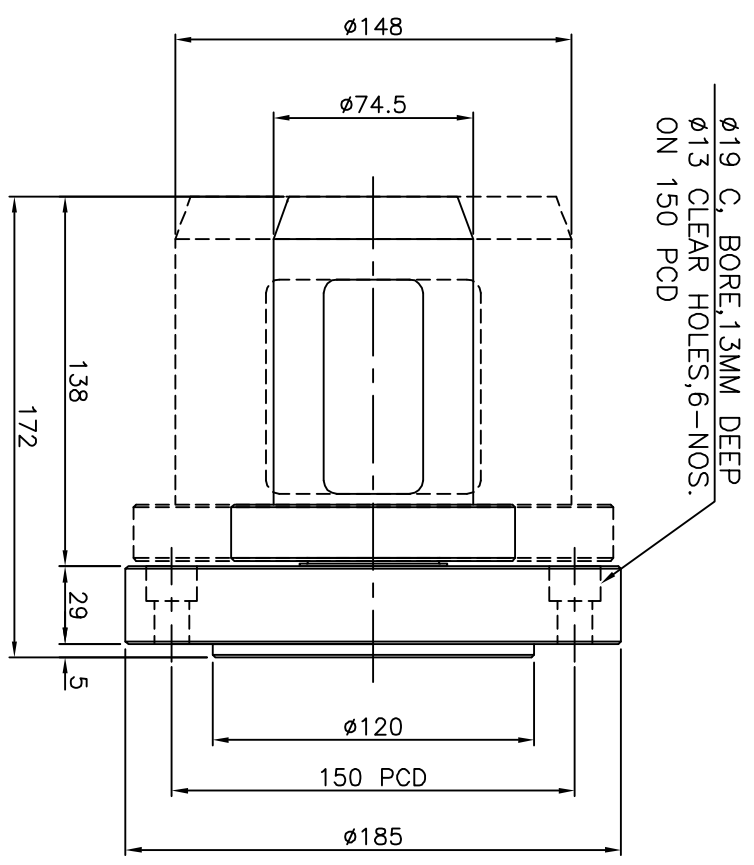
**DATA SHEET NO:- 9**

**ALL DIMENSION  
IN MM**

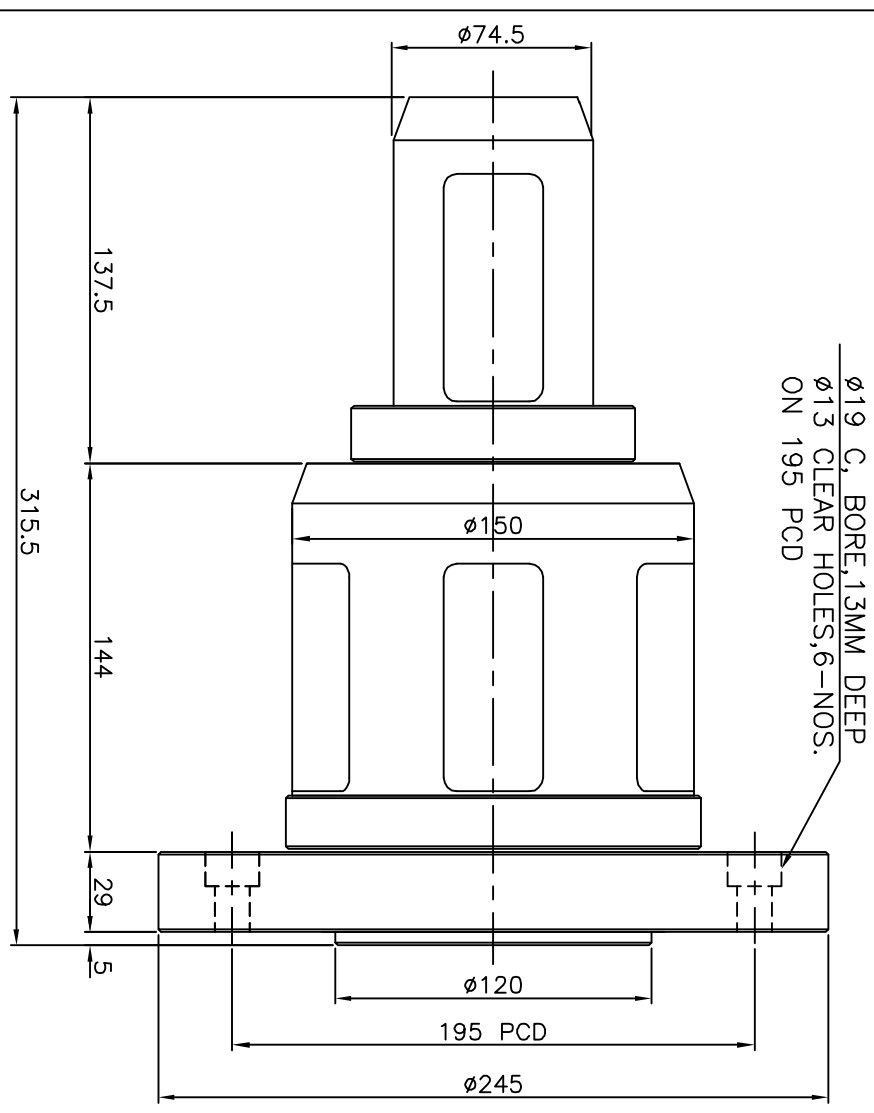


**SCALE  
N.T.S.**

**3" TORQUE CHUCK WITH ADAPTOR**



**3"-6" TORQUE CHUCK**



**BASIC CUSTOMER FEEDBACK**

PRESENT GRIPPING WIDTH:-	CORE INNER DIAMETER:-
MACHINE NAME:-	COLLAPSED SHAFT DIAMETER:-
MAX GRIPPING WIDTH:-	EXPANDED SHAFT DIAMETER:-
MIN GRIPPING WIDTH:-	SPEED :-
LOAD :-	CORE MATERIAL :-

**FOR IMPROVEMENT & MODIFICATION RESOURCE HAS RIGHT TO CHANGE DIMENSION WITHOUT PRIOR NOTICE.**