

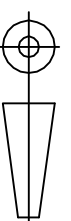
RESOURCE ENGINEECH (INDIA) PVT LTD.
BARODA - 390010, INDIA.

CUSTOMER NAME :-

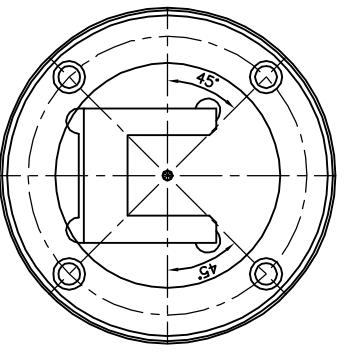
E MAIL :- info@resource.co.in.
FAX NO:- +91-265-2638048

DATA SHEET NO-6
FLANGE MOUNTING

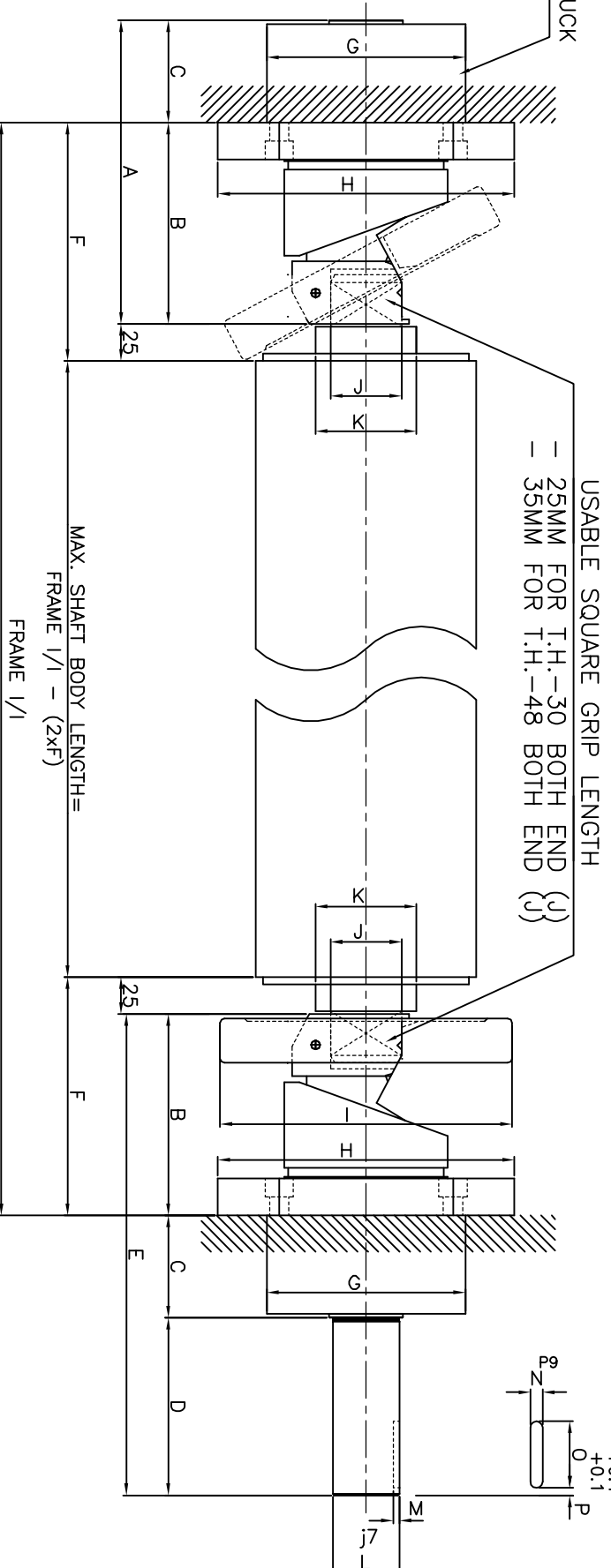
ALL DIMENSION
IN MM



SCALE
N.T.S.

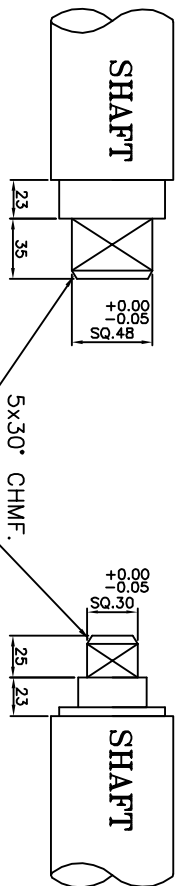


SAFETY CHUCK



MODEL	A	B	C	D	E	F	G	H	I	J	K	L	M	N	O	P
T.H.-30	148	94	54	90	238	119	ø100	ø150	ø150	30SQ.	ø41	ø30 ^{+0.013} _{-0.008}	4	8 ^{+8.085}	50	10
T.H.-48	205	136	69	120	325	161	ø134	ø200	ø197	48SQ.	ø66	ø45 ^{+0.015} _{-0.010}	5.5	14 ^{+3.061}	80	10

MODEL	SIZE	QTY.	EQUISPACD ON PCD
T.H.-30	M10	4	120
T.H.-48	M12	4	166



T.H.-48

T.H.-30

BASIC CUSTOMER FEEDBACK

PRESENT GRIPPING WIDTH:-	CORE INNER DIAMETER:-
MACHINE NAME:-	COLLAPSED SHAFT DIAMETER:-
MAX GRIPPING WIDTH:-	EXPANDED SHAFT DIAMETER:-
MIN GRIPPING WIDTH:-	SPEED :-
LOAD :-	CORE MATERIAL :-

FOR IMPROVEMENT & MODIFICATION RESOURCE HAS RIGHT TO CHANGE DIMENSION WITHOUT PRIOR NOTICE.