

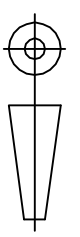


RESOURCE ENGINECH (INDIA) PVT LTD.  
 BARODA - 390010, INDIA.  
 E MAIL :- info@resource.co.in.  
 FAX NO:- +91-265-2638048

CUSTOMER NAME :-

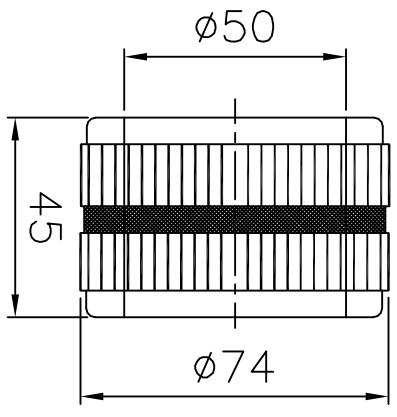
DATA SHEET NO:- 4

ALL DIMENSION  
IN MM

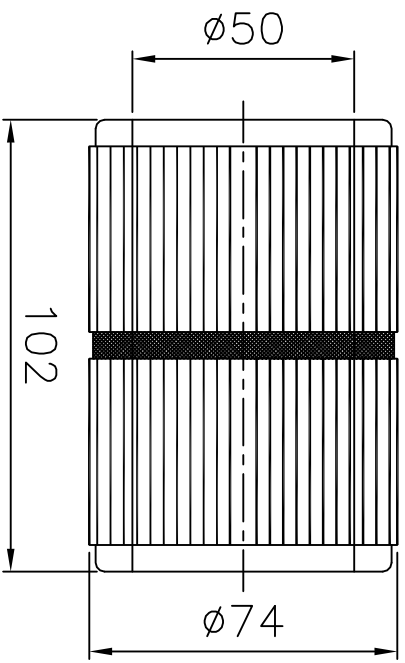


SCALE  
N.T.S.

**3" QUICK LOCK**

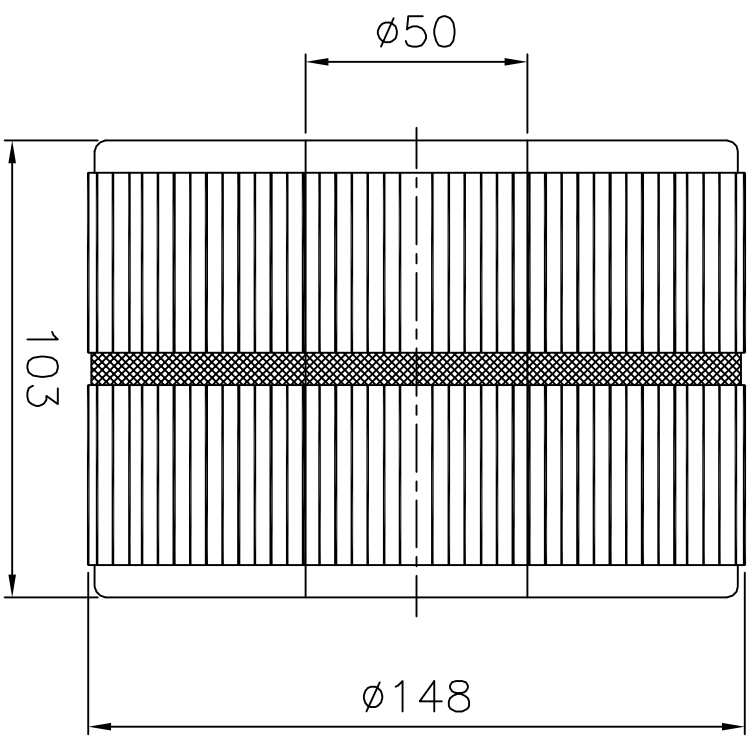
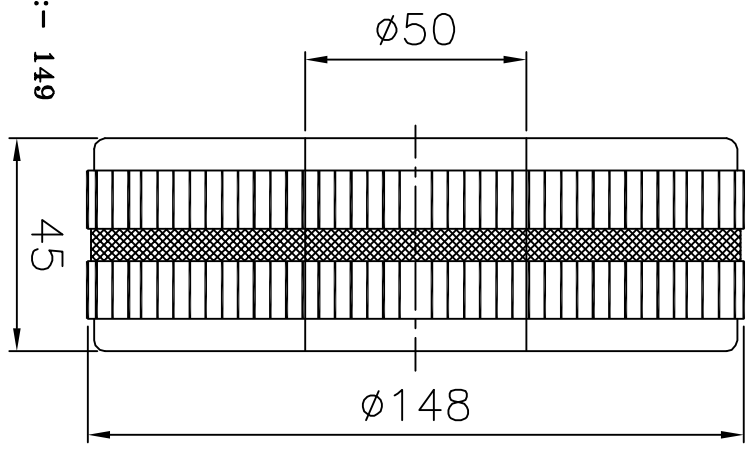


**3" QUICK LOCK**



COLLAPSAD:- 74  
 EXPANDED:- 78  
 MIN BORE:- 38  
 MAX BORE:- 50

**6" QUICK LOCK**



COLLAPSAD:- 149  
 EXPANDED:- 154  
 MIN BORE:- 45  
 MAX BORE:- 50

**BASIC CUSTOMER FEEDBACK**

PRESENT GRIPPING WIDTH:-	CORE INNER DIAMETER:-
MACHINE NAME:-	COLLAPSED SHAFT DIAMETER:-
MAX GRIPPING WIDTH:-	EXPANDED SHAFT DIAMETER:-
MIN GRIPPING WIDTH:-	SPEED :-
LOAD :-	CORE MATERIAL :-

FOR IMPROVEMENT & MODIFICATION RESOURCE HAS RIGHT TO CHANGE DIMENSION WITHOUT PRIOR NOTICE.