



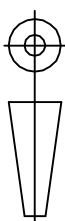
RESOURCE ENGINECH (INDIA) PVT LTD.
BARODA - 390010, INDIA.

CUSTOMER NAME :-

E MAIL :- info@resource.co.in.
FAX NO:- +91-265-2638048

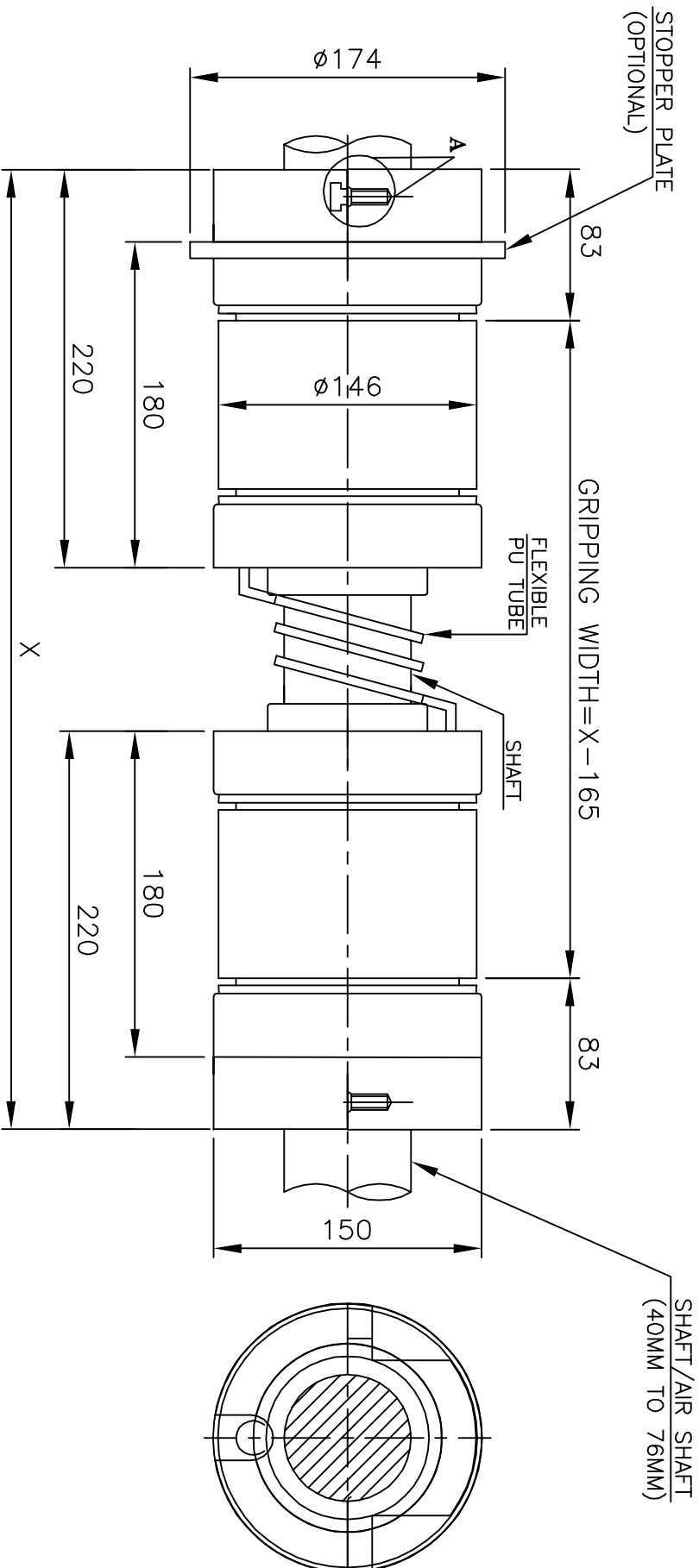
DATA SHEET NO:-1

ALL DIMENSION
IN MM



SCALE
N.T.S.

6" AIR CHUCK



BASIC CUSTOMER FEEDBACK

MAX BORE:- 76 MM
MIN BORE:- 40 MM
COLLAPSED:- 150 MM
EXPANDED:- 160 MM
REEL CARRYING CAP :- 350 KG/PAIR

PRESENT GRIPPING WIDTH:-	CORE INNER DIAMETER:-
MACHINE NAME:-	COLLAPSED SHAFT DIAMETER:-
MAX GRIPPING WIDTH:-	EXPANDED SHAFT DIAMETER:-
MIN GRIPPING WIDTH:-	SPEED :-
LOAD :-	CORE MATERIAL :-

FOR IMPROVEMENT & MODIFICATION RESOURCE HAS RIGHT TO CHANGE DIMENSION WITHOUT PRIOR NOTICE.